



Air Quality



Gases



Odors



Particles



Noises



Liquids  
and soils



Temperature



Relative  
humidity



Atmospheric  
pressure



# WT1 V1.3

Effective control of your operations' environmental impact

Turnkey solutions for monitoring and identifying sources of nuisances and pollutants in outdoor environments



UK Distributor:

Telephone:

Email:

iBiosys Solutions Ltd

01932 844400

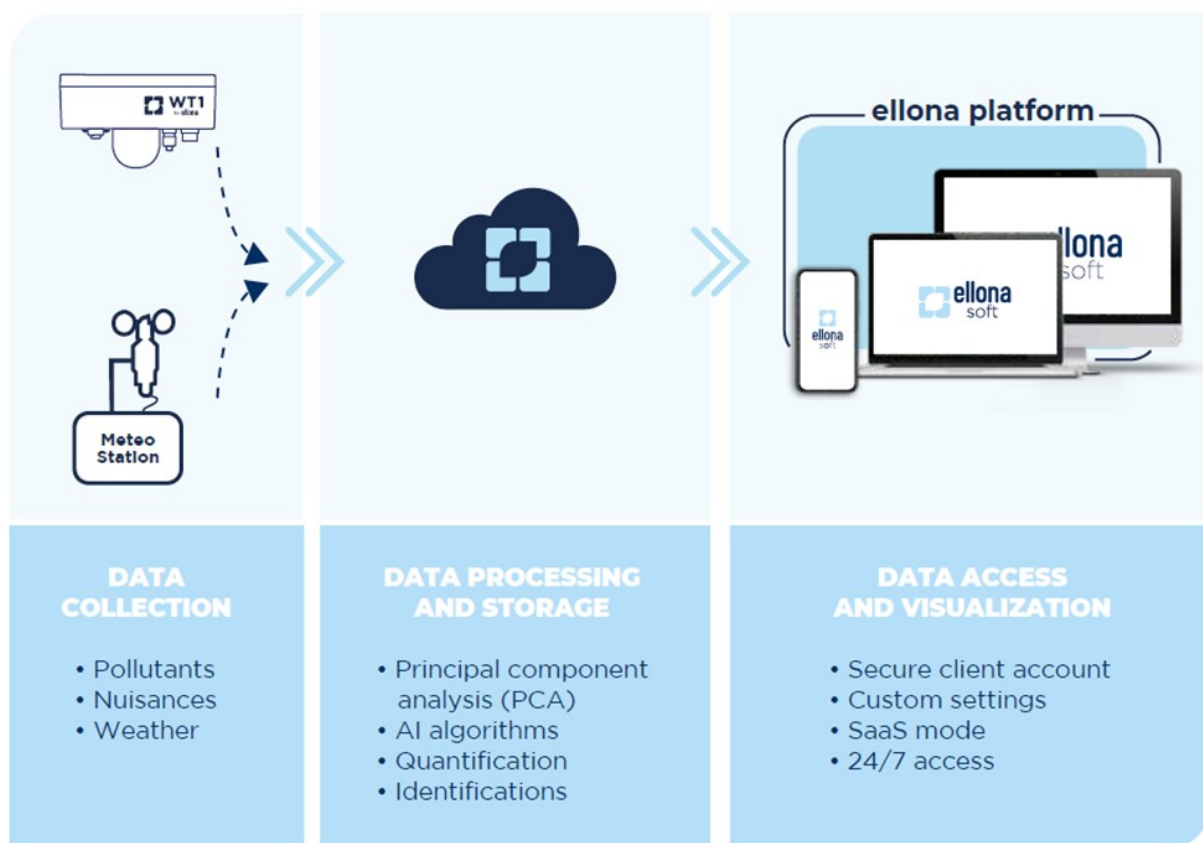
[sales@ibiosys.co.uk](mailto:sales@ibiosys.co.uk)

# Situational and Environmental Intelligence

WT 1 is a system that monitors outdoor environments quality at the source of emissions and at the fence line, of a site and in the neighborhood with:

- 24/7 real time readings of gas concentrations (up to 7 different gases), and volatile organic compounds (VOCs)
- Odor measurement and identification (possible correlation with Dynamic Olfactometry campaigns - EN 13725/ASTM679)
- Quantification and identification of particles
- Intensity and identification of noises
- Real-time alerts (configurable thresholds) with notifications (sms, email, etc.)
- Automated process activation (sampling, misting systems, ventilation, etc.)
- Integrates input from the community thanks to the devices' unique QR codes.

## How it works



# Main application fields

Industrial Sites



Wastewater Treatment Plants



Sea ports/Airports

Smart Cities

## The only scalable and customizable solution on the market



- Air quality
- VOCs



- **Up to 7** different gases simultaneously



- Odors
- Intensity (OU)
- Identification



- **PM 1  $\mu\text{m}$**
- **PM 2,5  $\mu\text{m}$**
- **PM 10  $\mu\text{m}$**



- Noise
- Intensity (dBA)
- Identification



- Turbidity
- pH
- O2 dissolve
- NKP (soil)

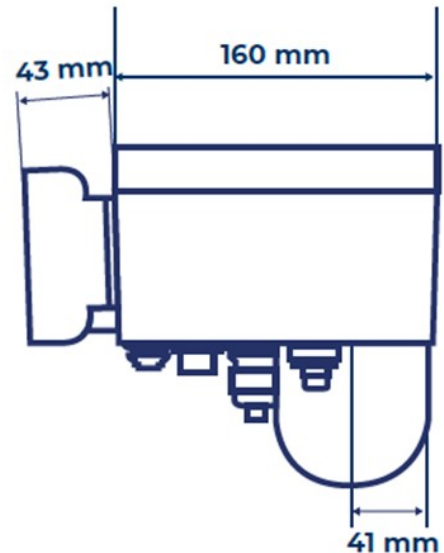
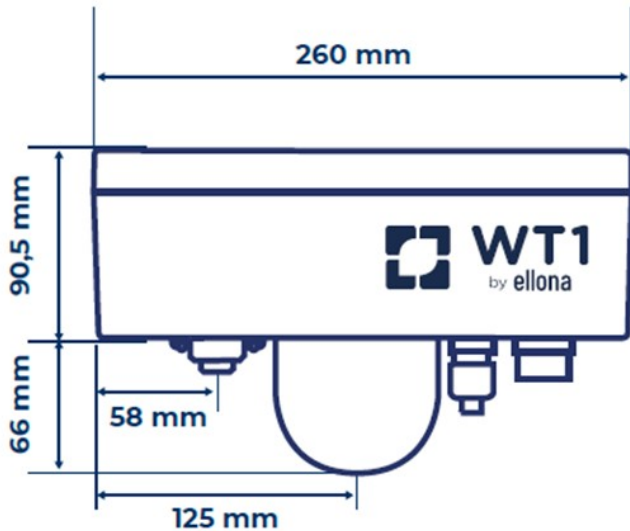


- Dispersion plume
- Impact on the neighborhood



- Human perceptions (subjective feedback)
- Customizable multi-parameter survey

# Technical specifications and options



- 4 metal oxide (MOX) gas sensors for odors and VOCs
- 6 electrochemical gas sensors: H<sub>2</sub>S, NH<sub>3</sub>, NO<sub>2</sub>... (from a 15+ gas list)
- 1 double-membrane PID sensor: VOCs (BTX, alkanes, etc.)
- 1 double-band optical sensor (2 optical sensors if PID not used): CO<sub>2</sub>, CH<sub>4</sub>
- 1 PM optical sensor: PM<sub>1-2.5-10</sub> (from a list of 2 sensors: one specialized in size and concentration and one specialized in fingerprinting<sup>(1)</sup>)
- Temperature, relative humidity, noise and atmospheric pressure sensors
- Soil and liquids sensors on demand (4-20mA)
- Software in SaaS mode
- IP 54 housing
- 110-240V AC - 12V DC Power adapter
- 12V DC input, PoE or a 12-V battery plus solar panel
- LTE-M/GPRS<sup>(2)</sup>, Wi-Fi, Ethernet communication
- Built-in GNSS (GPS, Galileo, Beidou, Glonass)
- Data logger with up to 2 years of data storage in case of communication failure
- Over the air configuration upgrade
- Operating temperature range: -30°C / + 60°C (-86° F/+140 ° F)<sup>(3)</sup>
- Weight: 3 kg. (6.61 lbs.)

(1) For construction sites only and on demand.

(2) Used as LTE-M fallback

(3) Note that extreme temperature and humidity impact proper operation of the sensors